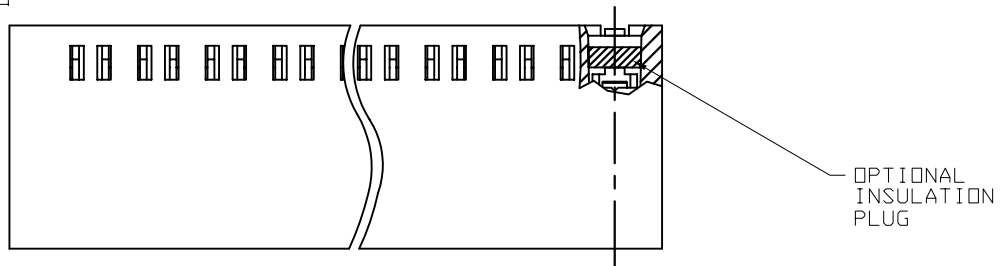
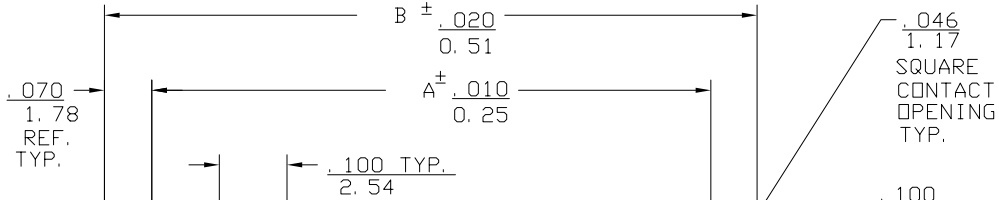


PRODUCT NO
SEE TABLE

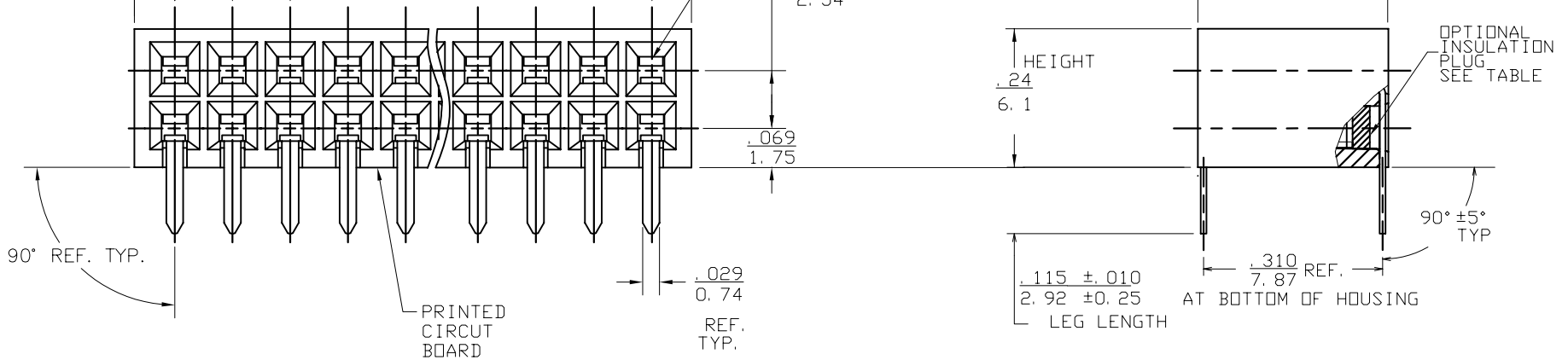
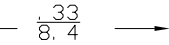


OPTIONAL
INSULATION
PLUG

LENGTH



WIDTH



90° REF. TYP.

PRINTED
CIRCUIT
BOARD

.029
0.74
REF.
TYP.

HEIGHT
.24
6.1

OPTIONAL
INSULATION
PLUG
SEE TABLE

90° ±5°
TYP.

.115 ±.010
2.92 ±0.25
LEG LENGTH

.310
7.87 REF.
AT BOTTOM OF HOUSING

mat'l. code				surface ISO 1302		tolerance ISO 406 ISO 1101		projection		product family	
-										CARD CONN	
ltr	ecn no	dr	date	tolerances unless otherwise specified						title	
F	v61641	LSS	12/3/96					INCH/MM		2 x .100/2.54 HORIZ. CARD CONNECTOR	
G	v70996	JM	10/19/97	angles	linear	.XX±.01/XX±0.3		scale 4:1		dwg no	
H	v02518	MDF	10/27/00	0°±2'		.XXX±.005/XX±0.13				sheet 1 of 6 size	
J	m05-018	MHT	8/20/05	dr	B. ASHREFI	.XXXX±.0020/XXX±0.051				67117	
K	m06-0117	AEA	6/26/06	engr	D. NEIDICH					A3	
L	m07-0137	MHT	2/26/07	chr	D. NEIDICH					type	
M	m08-0232	MHT	8/14/08	appd	D. NEIDICH					Product Customer Drawing	
sheet	revision	M	M	M	M	M	M				
index	sheet	1	2	3	4	5	6				



Copyright FCI

form A3

PRODUCT NO
SEE TABLE

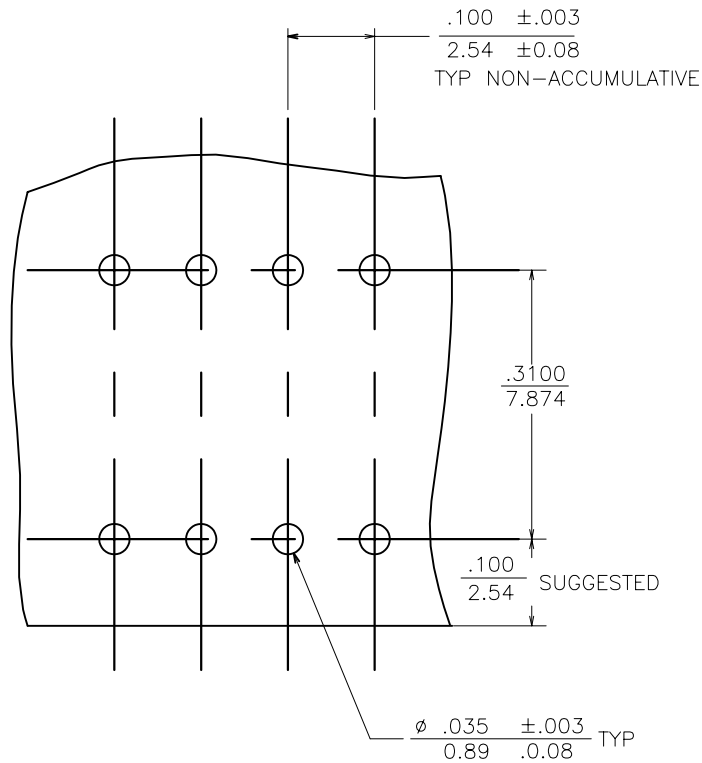


FIGURE 1
SCALE 5/1

NOTES.

- ① HOUSING MATERIAL.
FILLED HIGH TEMPERATURE NYLON
COLOR: BLACK
- ② TERMINAL MATERIAL.
BODY. BRASS .010/0.25 THICK.
SPRING. BE-CU. HEAT TREATED
BODY PLATING.
30 MICROINCH/0.76 MICRO GOLD OR GXT OVER
50 MICROINCH / 1.27 MICRON NICKEL
IN CONTACT AREA
SOLDERTAIL PLATING: .100 MICROINCH/2.54 MICRON PURE TIN (NOTE 8)
OVER 50 MICROINCH/ 1.27 MICRON NICKEL.
SPRING PLATING. GOLD FLASH
3. APPLICATION INFORMATION.
A. RECOMMENDED MOUNTING HOLE PATTERN IS SHOWN IN FIG. "1".
B. ALL MATING PINS TO BE .025/0.64 SQUARE ON TRUE CENTER OF GIVEN TERMINAL SPACINGS WITHIN .015/0.38 DIA.
C. SUGGESTED MATING PIN LENGTH .350±.020 / 8.89±0.51
4. TERMINAL MATERIAL.
BODY. BRASS .010/0.25 THICK.
SPRING. BE-CU. HEAT TREATED
BODY PLATING.
30 MICROINCH / 0.76 MICRON GOLD OVER
50 MICROINCH/ 1.27 MICRON NICKEL
IN CONTACT AREA
SOLDERTAIL PLATING: 3 MICROINCH /0.076 MICRON GOLD OVER 50 MICROINCH/ 1.27 MICRON NICKEL.
SPRING PLATING. GOLD FLASH
- ⑤ ADD "LF" SUFFIX AT THE END OF PART NUMBER FOR LEAD FREE OPTION.
- ⑥ THESE PRODUCT MEETS EUROPEAN UNION DIRECTIVES AND OTHER COUNTRY REGULATIONS AS DESCRIBED IN GS-22-008
7. THIS PART WILL WITHSTAND EXPOSURE TO 260°C PEAK TEMPERATURE FOR 20 SECONDS IN A WAVE SOLDER, INFRA-RED OR VAPOR PHASE SOLDER PROCESS.
- ⑧ THIS PRODUCT HAS 100% TIN PLATING IN THE INTERFACE AND HAS NOT BEEN TESTED FOR WISKER GROWTH IN ALL INTERCONNECT REQUIREMENTS
9. PLATING OPTIONS:
MAY BE EITHER GOLD OR GXT PLATED AT MANUFACTURER'S OPTION.



FCconnect.com

Copyright FCJ

mat'l. code		surface		tolerance		projection		product family	
-		ISO 1302		ISO 406 ISO 1101				CARD CONN	
ltr	ecn no	dr	date	tolerances unless otherwise specified					
M				angles	linear			title	
				0°±2'		INCH/MM		2 x .100/2.54 HORIZ. CARD CONNECTOR	
						scale 4:1		dwg no	
				dr	B. ASHREFI	10/12/81		sheet 2 of 6 size	
				enrg	D. NEIDICH	10/12/81		67117	
				chr	D. NEIDICH	10/12/81		A3	
				appd	D. NEIDICH	10/12/81		type	
sheet		revision		Product Customer Drawing					
index		sheet							

PRODUCT NO	NO. OF POS.	DIM A	DIM B	INSUL. PLUG	PLATING	LEAD FREE OPTION
67117-001	2X1	.00/0	.14/3.56	NO	NOTE 4	NOTE 5,6
-002	2X2	.10/2.54	.24/6.10	NO	NOTE 4	
-003	2X3	.20/5.08	.34/8.64		NOTE 4	
-004	2X4	.30/7.62	.44/11.18		NOTE 4	
-005	2X5	.40/10.16	.54/13.72		NOTE 2	
-006	2X6	.50/12.70	.64/16.26			
-007	2X7	.60/15.24	.74/18.80			
-008	2X8	.70/17.78	.84/21.32			
-009	2X9	.80/20.32	.94/23.88			
-010	2X10	.90/22.86	1.04/26.42			
-011	2X11	1.00/25.40	1.14/28.96			
-012	2X12	1.10/27.94	1.24/31.50			
-013	2X13	1.20/30.48	1.34/34.04			
-014	2X14	1.30/33.02	1.44/36.58			
-015	2X15	1.40/35.56	1.54/39.12			
-016	2X16	1.50/38.10	1.64/41.66			
-017	2X17	1.60/40.64	1.74/44.20			
-018	2X18	1.70/43.18	1.84/46.74			
-019	2X19	1.80/45.72	1.94/49.29			
-020	2X20	1.90/48.26	2.04/51.82			
-021	2X21	2.00/50.80	2.14/54.36			
-022	2X22	2.10/53.34	2.24/56.90			
-023	2X23	2.20/55.88	2.34/59.44			
-024	2X24	2.30/58.42	2.44/61.98			
-025	2X25	2.40/60.96	2.54/64.52			
-026	2X26	2.50/63.50	2.64/67.06			
-027	2X27	2.60/66.04	2.74/69.60			
-028	2X28	2.70/68.58	2.84/72.14			
-029	2X29	2.80/71.12	2.94/74.68			
-030	2X30	2.90/73.66	3.04/77.22			
-031	2X31	3.00/76.20	3.14/79.76			
-032	2X32	3.10/78.74	3.24/82.30			
-033	2X33	3.20/81.28	3.34/84.84			
-034	2X34	3.30/83.82	3.44/87.38			
-035	2X35	3.40/86.36	3.54/89.92			
-036	2X36	3.50/88.90	3/64/92.46			
-037	2X37	3.60/91.44	3.74/95.00			
-038	2X38	3.70/93.88	3.84/97.54			
-039	2X39	3.80/96.52	3.94/100.08			
67117-040	2X40	3.90/99.06	4.04/102.62	NO	NOTE 2	NOTE 5,6

mat'l. code		surface		tolerance		projection		product family	
-		ISO 1302		ISO 406				CARD CONN	
ltr		ecn no		date		tolerances unless otherwise specified		title	
M						.XX±.01/XX±0.3 .XXX±.005/XX±0.13 .XXXX±.0020/XXX±0.051		2 x .100/2.54 HORIZ. CARD CONNECTOR	
				angles		linear		INCH/MM	
				0°±2°				scale 4:1	
				dr		B. ASHREFI		10/12/81	
				engr		D. NEIDICH		10/12/81	
				chr		D. NEIDICH		10/12/81	
				appd		D. NEIDICH		10/12/81	
sheet		revision							
index		sheet						dwg no 67117 sheet 3 of 6 size A3 type Product Customer Drawing	



Copyright FCI

PRODUCT NO	NO. OF POS.	DIM A	DIM B	INSUL. PLUG	PLATING	LEAD FREE OPTION
67117-041	2X41	4.00/101.60	4.14/105.16	NO	NOTE 2	NOTE 5,6
-042	2X42	4.10/104.14	4.24/107.70			
-043	2X43	4.20/106.68	4.34/110.24			
-044	2X44	4.30/109.22	4.44/112.78			
-045	2X45	4.40/111.76	4.54/115.32			
-046	2X46	4.50/114.30	4.64/117.86			
-047	2X47	4.60/116.84	4.74/120.40			
-048	2X48	4.70/119.38	4.84/122.94			
-049	2X49	4.80/121.92	4.94/125.48			
-050	2X50	4.90/124.46	5.04/128.02			
-051	2X51	5.00/127.00	5.14/130.56			
-052	2X52	5.10/129.54	5.24/133.10			
-053	2X53	5.20/132.08	5.34/135.64			
-054	2X54	5.30/134.62	5.44/138.18			
-055	2X55	5.40/137.16	5.54/140.72			
-056	2X56	5.50/139.70	5.64/143.26			
-057	2X57	5.60/142.24	5.74/145.80			
-058	2X58	5.70/144.78	5.84/148.34			
-059	2X59	5.80/147.32	5.94/150.88			
-060	2X60	5.90/149.86	6.04/153.42			
-061	2X61	6.00/152.40	6.14/155.96			
-062	2X62	6.10/154.94	6.24/158.50			
-063	2X63	6.20/157.48	6.34/161.04			
-064	2X64	6.30/160.02	6.44/163.58			
67117-065	2X65	6.40/162.56	6.54/166.12	NO	NOTE 2	NOTE 5,6



FCIconnect.com

Copyright FCI

mat'l. code		surface		tolerance		projection		product family	
-		ISO 1302		ISO 406				CARD CONN	
				ISO 1101				title	
ltr		ecn no		dr		date		tolerances unless otherwise specified	
M								.XX±.01/XX±0.3 .XXX±.005/XX±0.13 .XXXX±.0020/XXX±0.051	
				angles		linear		INCH/MM	
				0°±2°				scale 4:1	
				dr		B. ASHREFI		10/12/81	
				engr		D. NEIDICH		10/12/81	
				chr		D. NEIDICH		10/12/81	
				appd		D. NEIDICH		10/12/81	
sheet		revision							
index		sheet						title 2 x .100/2.54 HORIZ. CARD CONNECTOR dwg no 67117 sheet 4 of 6 size A3 type Product Customer Drawing	

form A3

PRODUCT NO	NO. OF POS.	DIM A	DIM B	INSUL. PLUG		LEAD FREE OPTION
67117-501	2X1	.00/0	.14/3.56	YES		NOTE 5,6
-502	2X2	.10/2.54	.24/6.10		NOTE 4	
-503	2X3	.20/5.08	.34/8.64		NOTE 4	
-504	2X4	.30/7.62	.44/11.18		NOTE 4	
-505	2X5	.40/10.16	.54/13.72		NOTE 2	
-506	2X6	.60/12.70	.64/16.26			
-507	2X7	.60/15.24	.74/18.80			
-508	2X8	.70/17.78	.84/21.34			
-509	2X9	.80/20.32	.94/23.88			
-510	2X10	.90/22.86	1.04/26.42			
-511	2X11	1.00/25.40	1.14/28.96			
-512	2X12	1.10/27.94	1.24/31.50			
-513	2X13	1.20/30.48	1.34/34.04			
-514	2X14	1.30/33.02	1.44/36.58			
-515	2X15	1.40/35.56	1.54/39.12			
-516	2X16	1.50/38.10	1.64/41.66			
-517	2X17	1.60/40.64	1.74/44.20			
-518	2X18	1.70/43.18	1.84/46.74			
-519	2X19	1.80/45.72	1.94/49.28			
-520	2X20	1.90/48.26	2.04/51.82			
-521	2X21	2.00/50.80	2.14/54.36			
-522	2X22	2.10/53.34	2.24/56.90			
-523	2X23	2.20/55.88	2.34/59.44			
-524	2X24	2.30/58.42	2.44/61.98			
-525	2X25	2.40/60.96	2.54/64.52			
-526	2X26	2.50/63.50	2.64/67.06			
-527	2X27	2.60/66.04	2.74/69.60			
-528	2X28	2.70/68.58	2.84/72.14			
-529	2X29	2.80/71.12	2.94/74.68			
-530	2X30	2.90/73.66	3.04/77.22			
-532	2X32	3.10/78.74	3.24/82.30			
-533	2X33	3.20/81.28	3.34/84.84			
-534	2X34	3.30/83.82	3.44/87.38			
-535	2X35	3.40/86.36	3.54/89.92			
-536	2X36	3.50/88.90	3.64/92.46			
-537	2X37	3.60/91.44	3.74/95.00			
-538	2X38	3.70/93.98	3.84/97.54			
-539	2X39	3.80/96.52	3.94/100.08			
67117-540	2X40	3.90/99.06	4.04/102.62	YES	NOTE 2	NOTE 5,6

mat'l. code		surface		tolerance		projection		product family	
-		ISO 1302		ISO 406				CARD CONN	
ltr		ecn no		date		tolerances unless otherwise specified		title	
M						linear: .XX±.01/XX±0.3 .XXX±.005/XX±0.13 .XXXX±.0020/XXX±0.051		2 x .100/2.54 HORIZ. CARD CONNECTOR	
						angles: 0°±2° linear:		INCH/MM	
						scale: 4:1		dwg no	
				dr B. ASHREFI 10/12/81				sheet 5 of 6 size	
				engr D. NEIDICH 10/12/81				67117 A3	
				chr D. NEIDICH 10/12/81				type	
				appd D. NEIDICH 10/12/81				Product Customer Drawing	
sheet index		revision sheet							



Copyright FCI

PRODUCT NO	NO. OF POS.	DIM A	DIM B	INSUL. PLUG	PLATING	LEAD FREE OPTION
67117-541	2X41	4.00/101.60	4.14/105.16	YES	NOTE 2	NOTE 5,6
-542	2X42	4.10/104.14	4.24/107.70			
-543	2X43	4.20/106.68	4.34/110.24			
-544	2X44	4.30/109.22	4.44/112.78			
-545	2X45	4.40/111.76	4.54/115.32			
-546	2X46	4.50/114.30	4.64/117.86			
-547	2X47	4.60/116.84	4.74/120.40			
-548	2X48	4.70/119.38	4.84/122.94			
-549	2X49	4.80/121.92	4.94/125.48			
-550	2X50	4.90/124.46	5.04/128.02			
-551	2X51	5.00/127.00	5.14/130.56			
-552	2X52	5.10/129.54	5.24/133.10			
-553	2X53	5.20/132.08	5.34/135.64			
-554	2X54	5.30/134.62	5.44/138.18			
-555	2X55	5.40/137.16	5.54/140.72			
-556	2X56	5.50/139.70	5.64/143.26			
-557	2X57	5.60/142.24	5.74/145.80			
-558	2X58	5.70/144.78	5.84/148.34			
-559	2X59	5.80/147.32	5.94/150.88			
-560	2X60	5.90/149.86	6.04/153.42			
-561	2X61	6.00/152.40	6.14/155.96			
-562	2X62	6.10/154.94	6.24/158.50			
-563	2X63	6.20/157.48	6.34/161.04			
-564	2X64	6.30/160.02	6.44/163.58			
67117-565	2X65	6.40/162.56	6.54/166.12	YES	NOTE 2	NOTE 5,6



FCconnect.com

Copyright FCJ

mat'l. code		surface		tolerance		projection		product family	
-		ISO 1302		ISO 406 ISO 1101				CARD CONN	
ltr	ecn no	dr	date	tolerances unless otherwise specified					
M				angles	linear	.XX±.01/XX±.03		title	
						.XXX±.005/XX±.013		2 x .100/2.54 HORIZ. CARD CONNECTOR	
				0°±2°		.XXXX±.0020/XXX±.0051		scale 4:1	
				dr	B. ASHREFI	10/12/81		dwg no	
				engr	D. NEIDICH	10/12/81		sheet 6 of 6 size	
				chr	D. NEIDICH	10/12/81		67117 A3	
				appd	D. NEIDICH	10/12/81		type Product Customer Drawing	
sheet	revision								
index	sheet								



form A3 1 2 3 4 5 6